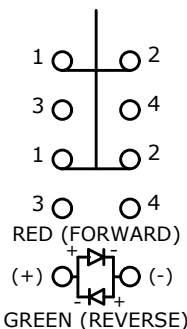


▲

SWITCH FUNCTION	
POS. 1	POS. 2
1-2 ON 3-4 OFF	1-2 (OFF) 3-4 (ON)

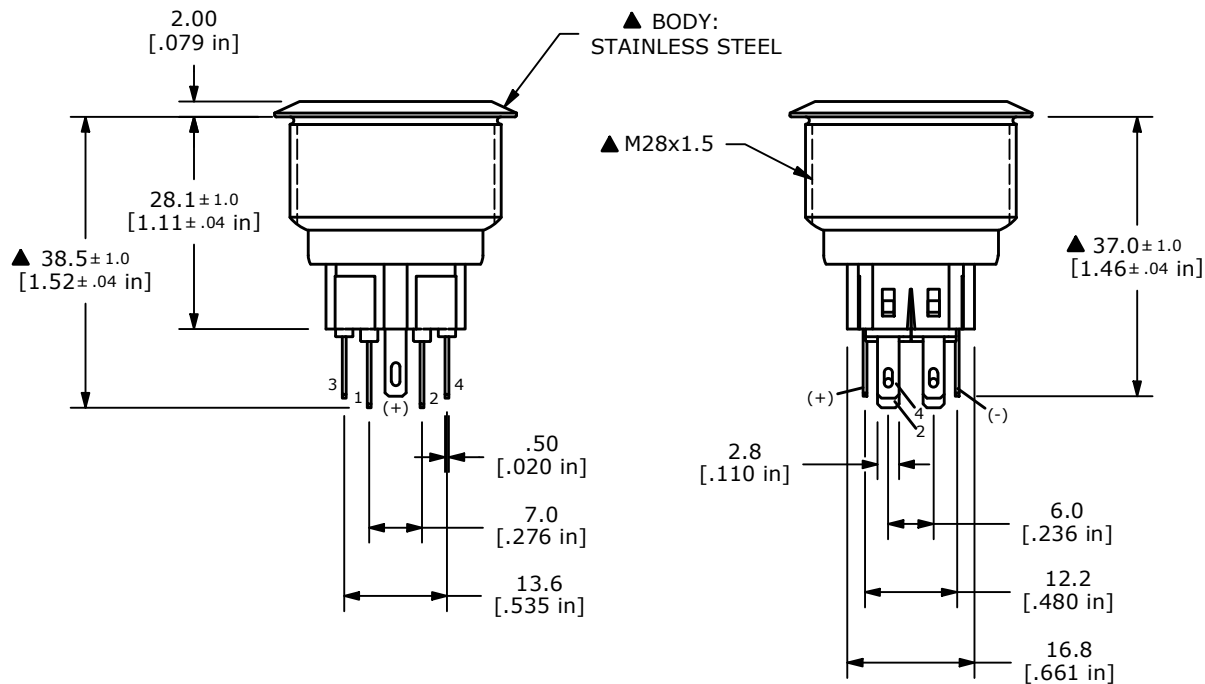
() = MOMENTARY



▲ DPDT ON (OFF) / OFF (ON)
 CONTACT CONFIGURATION
 () DENOTES MOMENTARY

NOTE:

- ALL DIMENSIONS IN MM [INCH]
- GENERAL TOLERANCE: X.X = ± 0.4
X.XX = ± 0.25
- TERMINAL NUMBERS FOR REF. ONLY
- RATING: 2A @ 48VDC
- CONTACT RESISTANCE: 50mΩ MAX. @ 1A 12VDC
- INSULATION RESISTANCE: 1,000MΩ @ 500VDC
- DIELECTRIC STRENGTH: 2,000VAC MIN. FOR 1 MINUTE
- ELECTRICAL LIFE: 50,000 CYCLES
- OPERATING TEMPERATURE: -20°C TO 55°C
- INGRESS PROTECTION: IP66
- ▲ DENOTES CRITICAL PARAMETER
- SUPPLIED HARDWARE: O-RING AND HEXNUT
- ILLUMINATION COLOR: RED (FORWARD), GREEN (REVERSE)
- ILLUMINATION VOLTAGE: BASE VOLTAGE 1.8V FORWARD, 2.8V REVERSE



C	24637	UPDATE THREAD LENGTH TO 15.0	12/10/20	JM
B	23838	UPDATED RATING TO IP66	4/8/19	MJR
A	22263	RELEASE FOR PRODUCTION	4/11/16	MJR
REV	PCR NO	DESCRIPTION	DATE	BY



TITLE PV9F2V0SS-3G1				
SCALE 1:1	DATE 4/11/2016	DR MJR	DWG 52-PV9F2V0SS3G1	REV C

THE INFORMATION CONTAINED IN THIS DOCUMENT IS PROPRIETARY TO E-SWITCH AND IS NOT TO BE COPIED OR TRANSFERRED